

GADCR Levelling Glide

Features

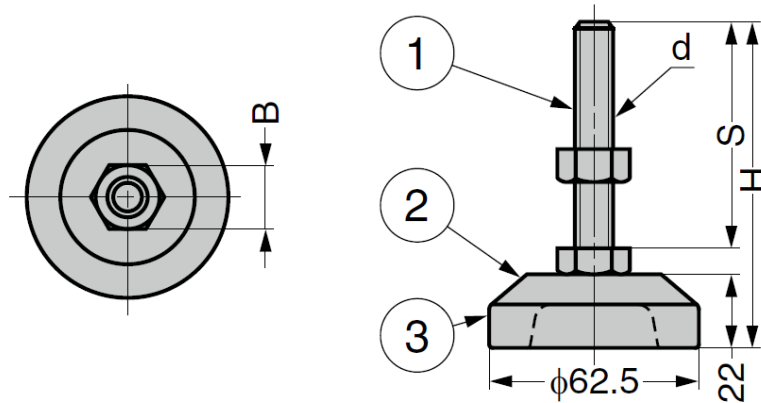
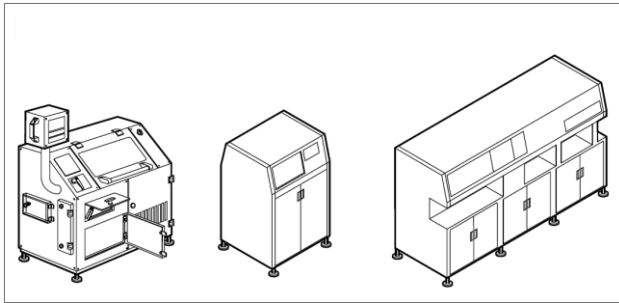
- Bottom cover made of nitrile rubber to prevent skidding and scratching of floor
- Cross-recessed bottom allows easy installation with pneumatic screwdriver

Notes

- Do not move horizontally under load. Cover may come off or wear out

Sold Separately

- Washer **GADZS** (stainless steel)
- Washer **GADZ** (steel)



No.	Part Name	Material	Finish/Colour
①	Threaded Bolt	Steel (SWRCH)	Clear Zinc Chromate (Trivalent)
②	Body	Steel (SS)	
③	Cover	Nitrile Rubber (NBR)	Black

Part No.	H	S	B	d	Load Capacity (per piece)	
GADCR60-12-50	80	50	19	M12 × 1.75	6,664 N	680 kg
GADCR60-20-180	215	180	30	M20 × 2.5	14,112 N	1,440 kg